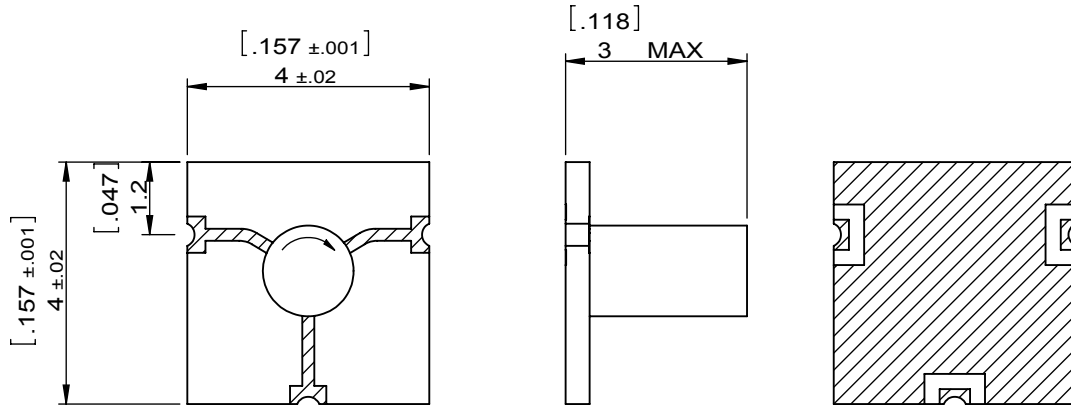
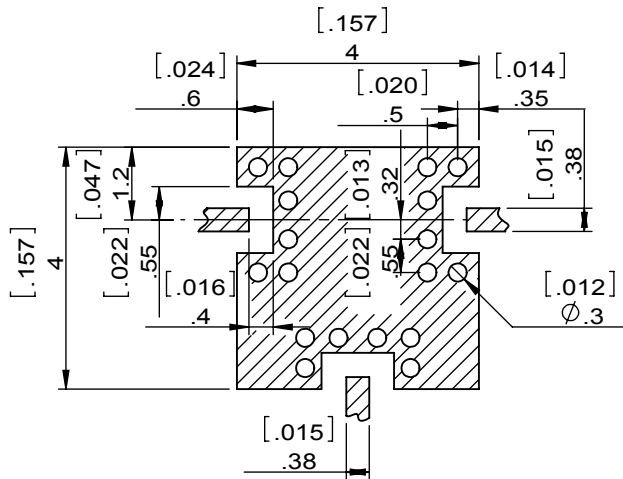


1		2		3		4		5		6	
Document No.	QR4-700-T-003	REV.	A/0	REV.	DESCRIPTION	REVISOR	DATE	APPROVED			
				0		ZC.Wu	03.15.2016	David			



SPECIFICATIONS	
Part's Number	JCSM27K5T29K5
Frequency(GHz)	27.500~29.500
Direction	CW
Insertion Loss(dB)MAX	1.3
Isolation(dB)MIN	17.0
Return Loss(dB)MIN	16.0
3rd IMD(dBc)MAX	-
Power FWD/REV/PK(Watt)	2/2/-
Operating Temperature(°C)	-40~+70
Storage Temperature(°C)	
2nd/3rd Harmonic(dBc)	-
Termination/Attenuator(Watt/dB)	-
Tab(W×LG×THK)(mm[Inch])	-
Additional Notes	-



- NOTES:
- The devices should be mounted on the NON MAGNETIC carrier or base.
 - For Pb-free reflow profile with peak temperature 230°C @40 second.
 - Humidity 5 to 95% non-condensing.
 - Recommended configuration of land pattern on "PCB for JCSM27K5T29K5".

PCB FOR JCSM27K5T29K5
 Material:TACONIC TLY-5-005-CH-CH(Duroid 5880)
 0.127±0.025 THICK 1/2 OZ CU CLAD



This document is the property of JQL Electronic Inc. It cannot be copied, duplicated, used for manufacturing purposes or communicated to third party as a whole or partly, without the written consent of JQL Electronic Inc.

JQL JQL Electronic Inc				
MATERIAL:		DWG NO:		
-		JCSM27K5T29K5		
SURFACE TREATMENT:		DWG BY:	ZC.Wu	03.15.2016
Thin Film		CHK'D BY:		SCALE
DESCRIPTION:		APPV'D BY:		8:1
Surface Mount Circulator		Unit:	Tolerance:	The First:
		mm[inch]	Liner: ±0.25	
			Anguar: ±0.5°	A4