

ERZIA

MODULAR AMPLIFIERS CATALOGUE



V / Q Band Power Amplifiers

Part Number	F.Min, GHz	F.Max, GHz	Psat, dBm	Gain, dB	Mechanical	Comments
					Housing	
ERZ-MPA-7500-8300-13	75	83	13	18	Contact us	
ERZ-HPA-5000-6600-19	50	66	19	20	Contact us	
ERZ-HPA-3300-4700-29	33	47	29	30	M2	
ERZ-HPA-3300-4700-27	33	47	27	16	M1	
ERZ-HPA-3300-4700-27-E	33	47	27	25	M2	
ERZ-HPA-3300-4700-24	33	47	24	17	M1	
ERZ-HPA-4100-4600-32	41	46	32	28	Contact us	
ERZ-HPA-4300-4600-32	43	46	32	27	Contact us	
ERZ-HPA-4100-4500-18-E	41	45	18	28	M2	
ERZ-HPA-4100-4500-18	41	45	18	14	M1	
ERZ-HPA-4000-4500-28-E	40	45	28	23	M2	
ERZ-HPA-4000-4500-28	40	45	28	10	M1	
ERZ-HPA-3300-4500-23-E	33	45	23	30	M2	
ERZ-HPA-3300-4500-23	33	45	23	15	M1	

Ka Band Power Amplifiers

Part Number	F.Min, GHz	F.Max, GHz	Psat, dBm	Gain, dB	Mechanical	Comments
					Housing	
ERZ-HPA-2000-4500-24	20	45	24	20	M3	
ERZ-HPA-1700-4300-22-E	17	43	22	45	M1	On production
ERZ-HPA-1700-4300-22	17	43	22	25	M3	
ERZ-HPA-2700-4200-27	27	42	27	30	M2	
ERZ-HPA-3000-4200-26	30	42	26	41	M2	
ERZ-HPA-3000-4200-14	30	42	14	21	M3	
ERZ-HPA-2400-4100-33	24	41	33	28	Contact us	
ERZ-HPA-3000-4000-32	30	40	32	18	M2	
ERZ-HPA-3000-4000-32-E	30	40	32	33	M2	
ERZ-HPA-2000-4000-24	20	40	24	20	M3	
ERZ-HPA-2000-4000-20	20	40	20	22	M3	
ERZ-HPA-1900-3800-21	19	38	21	20	M3	
ERZ-HPA-3200-3800-25	32	38	25	32	Contact us	
ERZ-HPA-3100-3700-34	31	37	34	19	M2	
ERZ-HPA-2300-3700-25	23	37	24	20	M1	
ERZ-HPA-2300-3700-27	23	37	27	21	M1	
ERZ-HPA-2400-3600-27	24	36	27	35	M2	
ERZ-HPA-2500-3500-25	25	35	25	18	M2	
ERZ-HPA-2500-3500-25-E	25	35	25	35	M1	
ERZ-HPA-3100-3500-33	31	35	33	19	M1	
ERZ-HPA-2800-3300-33	28	33	33	23	M3	
ERZ-HPA-2800-3200-32	28	32	32	20	M1	
ERZ-HPA-2000-3300-20	20	33	20	22	M3	
ERZ-HPA-2800-3100-38	28	31	38	22	M2	

Part Number	F.Min, GHz	F.Max, GHz	Psat, dBm	Gain, dB	Mechanical	Comments
					Housing	
ERZ-HPA-2800-3100-38-E	28	31	38	39	M2	
ERZ-HPA-2800-3000-30	28	30	30	20	M2	
ERZ-HPA-2600-2800-22	26	28	22	22	M1	
ERZ-HPA-2600-2800-36	26	28	36	22	M2	
ERZ-HPA-2300-2800-32	23	28	32	22	M2	
ERZ-HPA-2300-2800-21	23	28	21	17	M1	
ERZ-HPA-2100-2650-27	21	26,5	27	28	M3	
ERZ-HPA-1700-2600-25	17	26	25	22	M3	

K Band Power Amplifiers

Part Number	F.Min, GHz	F.Max, GHz	Psat, dBm	Gain, dB	Mechanical	Comments
					Housing	
ERZ-HPA-0500-2300-20	5	23	20	19	M3	
ERZ-HPA-0500-1800-32	5	18	32	24	M1	
ERZ-HPA-0100-1800-21	1	18	21	14	M3	

Ku Band Power Amplifiers

Part Number	F.Min, GHz	F.Max, GHz	Psat, dBm	Gain, dB	Mechanical	Comments
					Housing	
ERZ-HPA-1200-1900-29	12	19	29	25	M1	
ERZ-HPA-1680-1800-33	16,8	18	36	25	Contact us	
ERZ-HPA-1300-1600-38	13	16	38	24	M2	
ERZ-HPA-1200-1600-26	12	16	26	23	M1	
ERZ-HPA-1250-1550-34	12,5	15,5	34	27	M2	

X Band Power Amplifiers

Part Number	F.Min, GHz	F.Max, GHz	Psat, dBm	Gain, dB	Mechanical	Comments
					Housing	
ERZ-HPA-0900-1400-34	9	14	34	36	M2	
ERZ-HPA-0600-1000-31	6	10	31	25	M1	

Low Frequency Power Amplifiers

Part Number	F.Min, GHz	F.Max, GHz	Psat, dBm	Gain, dB	Mechanical	Comments
					Housing	
ERZ-HPA-0500-0600-25	5	6	25	24	M3	
ERZ-HPA-0570-0590-42	5,7	5,9	42	40	Contact us	
ERZ-HPA-4900-5250-37	4,9	5,25	45	45	Contact us	On production
ERZ-HPA-0440-0500-40	4,4	5	40	30	Contact us	
ERZ-HPA-0200-0400-24	2	4	24	23	M3	
ERZ-HPA-0280-0330-40	2,8	3,3	40	38	Contact us	

Wideband Power Amplifiers

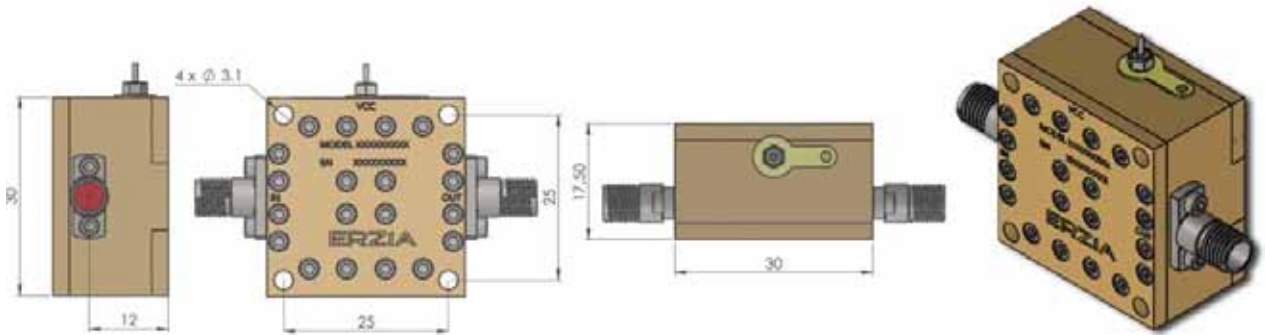
Part Number	F.Min, GHz	F.Max, GHz	Psat, dBm	Gain, dB	Mechanical	Comments
					Housing	
ERZ-HPA-0500-2300-20	5	23	20	19	M3	
ERZ-HPA-0500-1800-32	5	18	32	24	M1	
ERZ-HPA-0100-1800-21	1	18	21	14	M3	

Low Noise Amplifiers

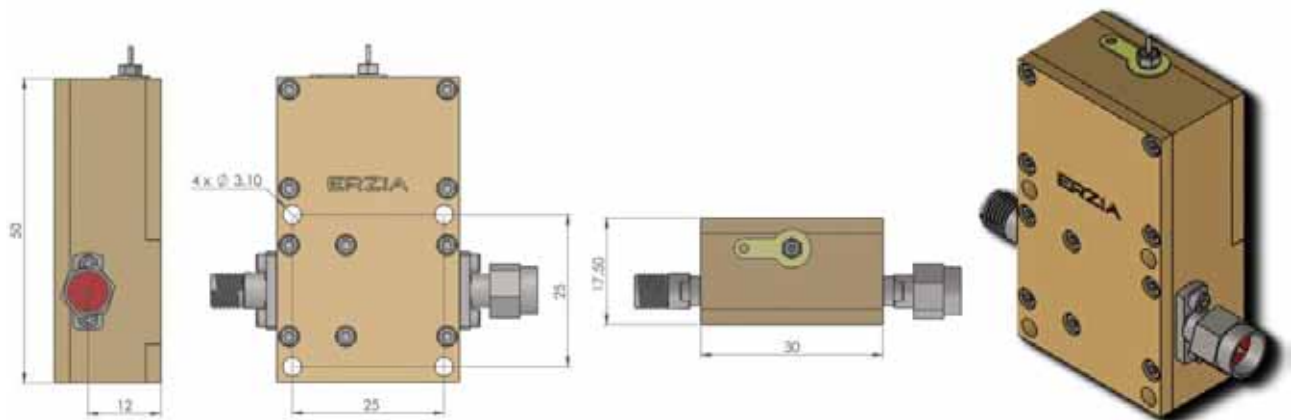
Part Number	F.Min, GHz	F.Max, GHz	Gain, dB	NF, dB	Mechanical	Psat, dBm
					Housing	
ERZ-LNA-0200-4500-15-4	2	45	15	4	M3	10
ERZ-LNA-1800-4000-15-4	18	40	15	4	M3	18
ERZ-LNA-2600-4000-50-2.5	26	40	50	2.5	M1	14
ERZ-LNA-2900-4000-34-2.5	26	40	34	2.5	M1	11
ERZ-LNA-2900-4000-30-2.5	26	40	30	2.5	M1	11
ERZ-LNA-3600-4000-29-3.5	36	40	29	3.5	M3	10
ERZ-LNA-0200-3300-30-4	2	33	30	4	M2	16
ERZ-LNA-1800-3200-21-3	18	32	21	3	M3	9
ERZ-LNA-1250-3000-25-2.5	12,5	30	25	2.5	M3	14
ERZ-LNA-2000-3000-17-2.5	20	30	17	2.5	M3	7
ERZ-LNA-1700-2400-25-2.5	17	24	25	2.5	M3	14
ERZ-LNA-0200-1800-30-2	2	18	30	2	M3	18
ERZ-LNA-0200-1800-23-2.5	2	18	23	2.5	M3	15
ERZ-LNA-1250-1780-30-3	12,5	17,8	30	3	Contact us	11
ERZ-LNA-0600-1700-20-2	6	17	20	2	M3	17
ERZ-LNA-1250-1700-33-3	12.5	17	33	3	M3	14
ERZ-LNA-1000-1600-15-2.5	10	16	15	2.5	M3	10
ERZ-LNA-0700-1400-16-2	7	14	16	2	M3	10
ERZ-LNA-0700-1300-26-2	7	12	26	2	M1	21
ERZ-LNA-0840-1020-21-1.5	8,4	10,2	25	1.5	Contact us	11
ERZ-LNA-0300-0930-30-2	3	9,3	30	2	M2	19
ERZ-LNA-0300-0800-23-2	3	8	23	2	M1	12
ERZ-LNA-0300-0800-13-2	3	8	13	2	M3	19
ERZ-LNA-0100-0310-28-2	1	3,1	28	2	M2	19
ERZ-LNA-0125-0175-27-2	1,25	1,75	27	2	M3	15
ERZ-LNA-0007-0110-28-2	0,07	1,1	28	2	M2	17

MECHANICAL HOUSINGS

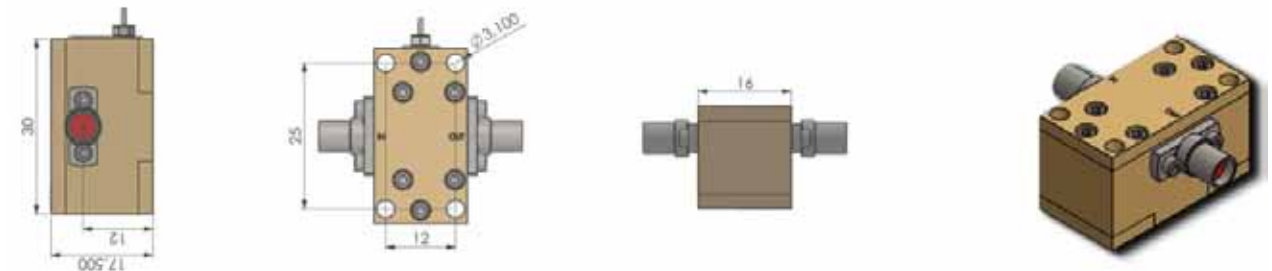
M1



M2



M3



MRC Gigacomp GmbH & Co. KG, Bahnhofstraße 1, D-85354 Freising
Tel. +49-8161-9848-0, Fax +49-8161-9848-20
e-mail: info@mrc-gigacomp.com web: www.mrc-gigacomp.com

MRC GIGACOMP
specialists in RF

201503PR15A_rev1.0

Copyright © 2015 Erzia Technologies. All rights reserved. This information is commercial and indicative, subject to change without notice.